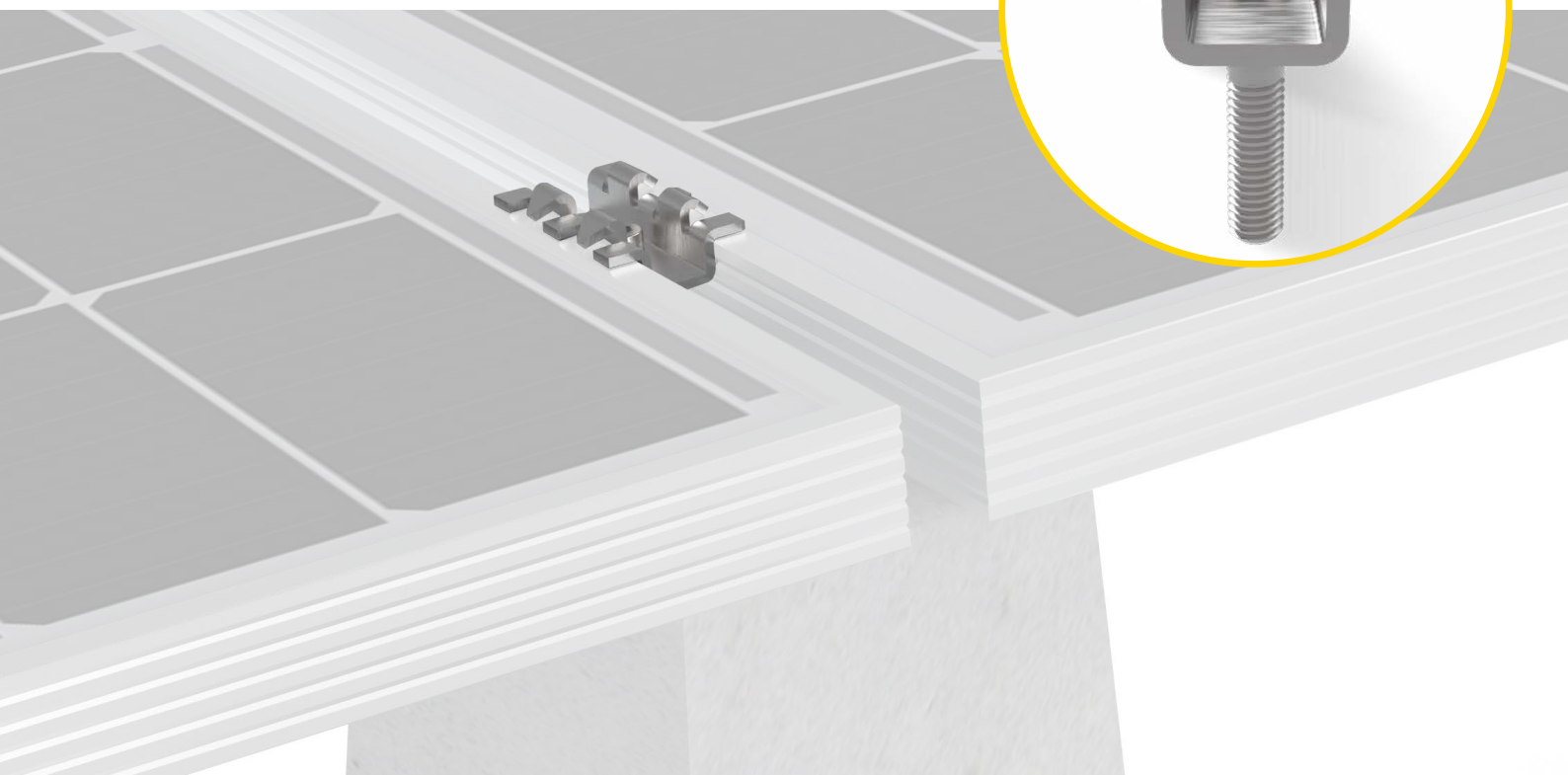
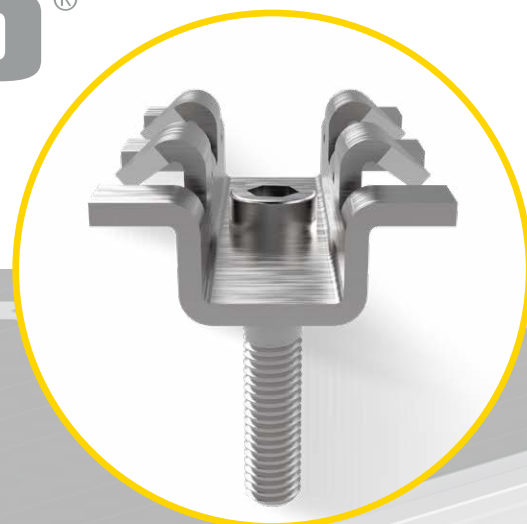


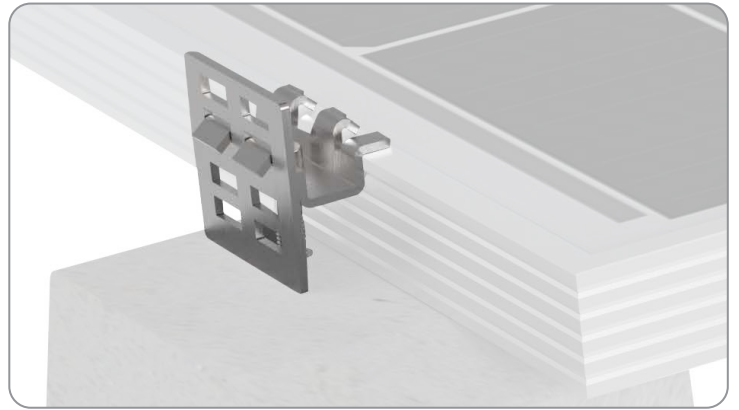
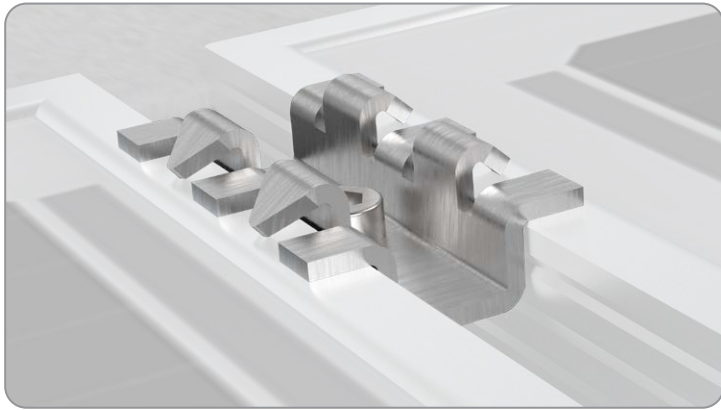
IDEAL RACKING SYSTEM
FOR SOLAR PANELS
ON A FLAT ROOF

POWERCLAMP®

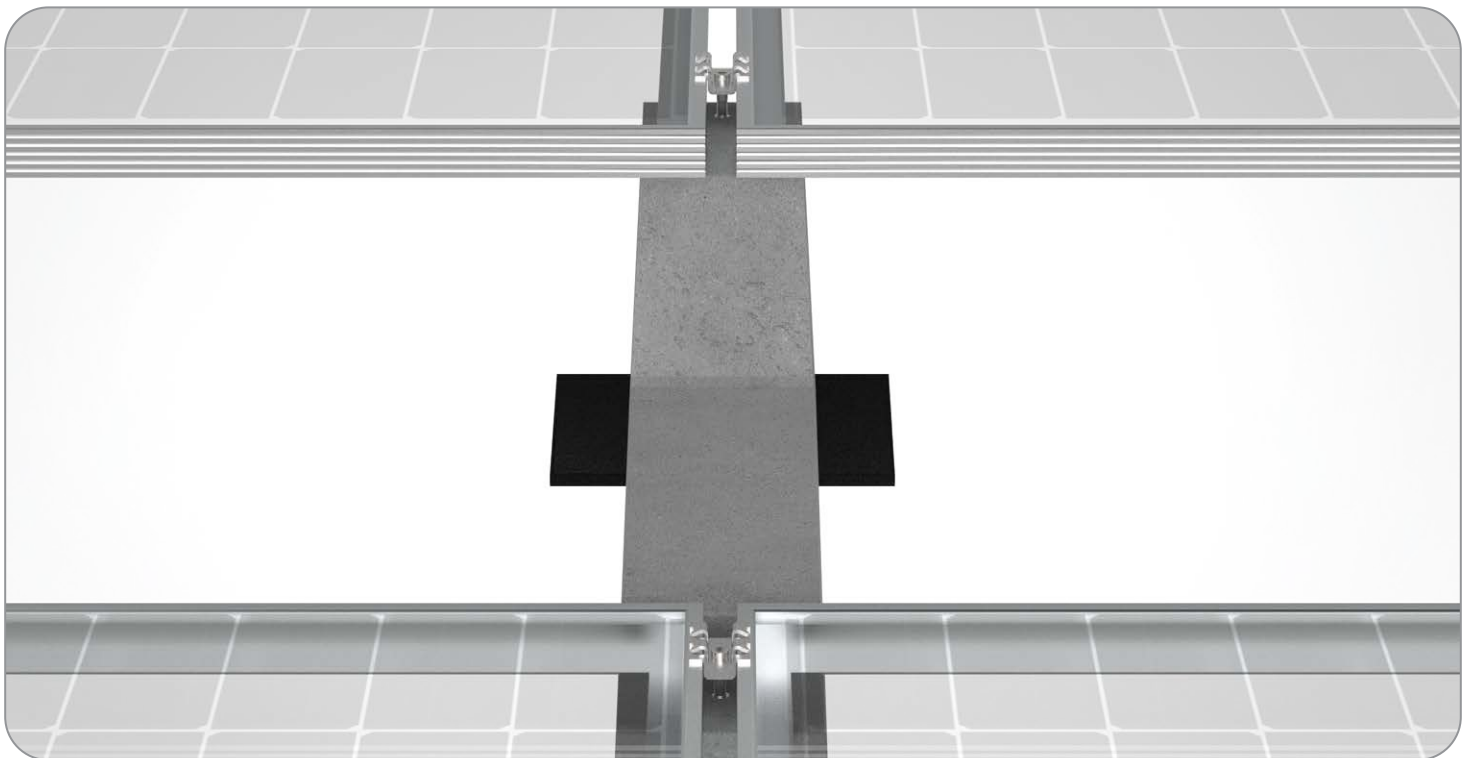
POWERCLAMP®



One accessory, double function: equipped with a simple and innovative design, the new Sun Ballast PowerClamp allows you to make photovoltaic systems even safer, both from an electrical and mechanical point of view. The special teeth ensures much easier, safer and faster grounding of the panels, while the top-quality stainless steel guarantees a solid and resistant clamping.



The special teeth of PowerClamp allow you to bite the frame of the PV modules, easily overcoming the anodized layer and ensuring a safe ground connection path of the system: all the panels are in fact connected in a single network through multiple connection points, and the earthing can be carried out quickly by placing a single ground lug per array.



The use of stainless-steel guarantees maximum grip on the panel frames, further improving the wind resistance and solidity of the photovoltaic system. The high quality of the material also allows the clip to be reused sev